

# Electric Servo Test System

201 SERIES

Portal frame and electric crosshead system



## ● *Clean*

Environmentally friendly,  
using no oil.

## ● *Compact*

Thin frame, making it more  
space-efficient.

## ● *Convenient*

Combined high performance  
and ease of use results in  
quick testing.

# Electric Servo Test System

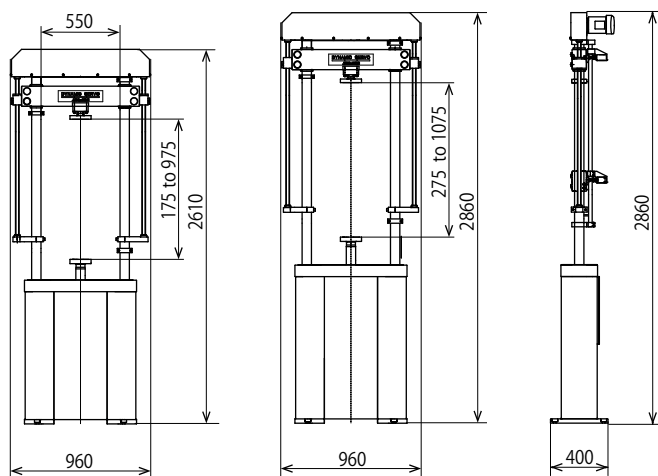
Easy to operation and maintain low operating cost.

## Specifications

Model 201-		201	202	203	204	205	206
Sine wave force	kN	5		10		20	
Static Force	kN	2.5		5		10	
Max Stroke	mm	±50	±100	±50	±100	±50	±100
Weight	kg	460	480	500	520	500	520
Power Supply *	V.AC, Hz	200/400 3Phase, 50/60		200 3Phase, 50/60		200/400 3Phase, 50/60	
	kVA	5		13		15	

\* In addition to the above, high speed, high acceleration, high load types are also available. Please contact our sales representative for detailed specifications.

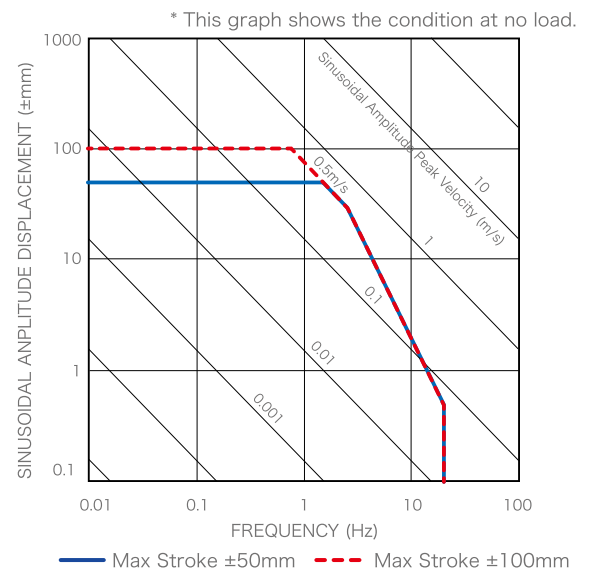
## Dimensions



Model 201-201/203/205

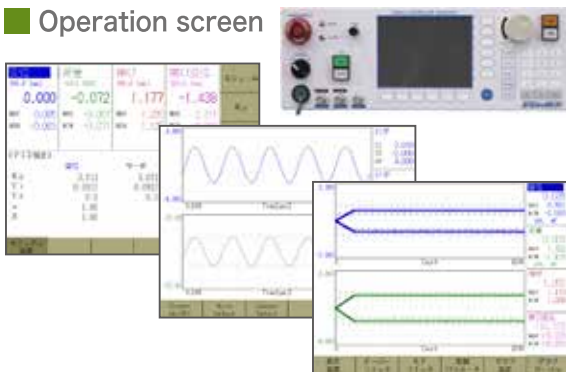
Model 201-202/204/206

## Performance Curve



## Controller M2430

### Operation screen



### Controller Specifications

Control Mode	Displacement, load, external signal input (2ch)
Waveform	sine wave, triangular wave, square wave, ramp wave, sweep wave
Schedule Function	Up to 100 steps, up to $2 \times 10^9$ repeats (random scheduling standard wave, ramp wave and sweep wave)
Control Range	auto range
Limiter Function	Over limiter, 4-point limiter
Monitor Output	±10V (range settable), 3ch (channel settable), BNC output
Dimensions/ Weight	W420×D380×H149/ 13kg
Power Supply	AC100V 500VA

※ Option: Data analysis software, Chamber.

# SAGINOMIYA

## SEISAKUSHO, INC.

<http://www.saginomiya-global.com/en/>

Testing Equipment Tel : +81 3 6205 9126 Fax : +81 3 6205 9127  
 Sales Department Shinjuku Garden Tower 22F  
 8-2, Okubo 3-chome, Shinjuku-ku, Tokyo, 169-0072 Japan  
**E-mail dynamic-servo@saginomiya.co.jp**

Osaka Sales Office Tel : +81 6 6385 8011 Fax : +81 6 6384 0859  
 10-28, Hiroshibacho, Suita-shi, Osaka, 564-0052 Japan

Nagoya Sales Office Tel : +81 52 224 7120 Fax : +81 52 224 7121  
 1-13, Simizu 4-chome, Kita-ku, Nagoya-shi, Aichi, 462-0844 Japan



### NOTES FOR SAFETY

**Failure to read and follow all instruction carefully before installing or operating the product could cause personal injury and / or property damage.**

Specifications are subject to change without notice.